



The Boxer PRO Series is our newest, most portable, high performance 5G 9:1 configuration case antenna designed to provide an on-the-go network as an emergency mobile hot spot. A more compact solution with our highest performance 5G antenna to date. Small enough to fit in a backpack or carry-on an airplane while still providing full use of the 5G 600 MHz to 6 GHz spectrum for first responders, critical communications, surveillance, covert operations, and more.

The Boxer case uses shock absorption and impact resistant resin to reduce damage and loss of performance due to hard use. Customizable special features make the Boxer one of our most versatile cases for high profile network solutions. Connect almost anytime, anywhere with Parsec antennas.

**1st
to 5G****Configurations 7:1 | 8:1 | 9:1****Emergency Communications | Primary & Failover | Remote Video Monitoring*****Most Portable Case***

Fit for a Backpack or Carry-On

High Data Speeds

High Efficiency for Streaming

Durable

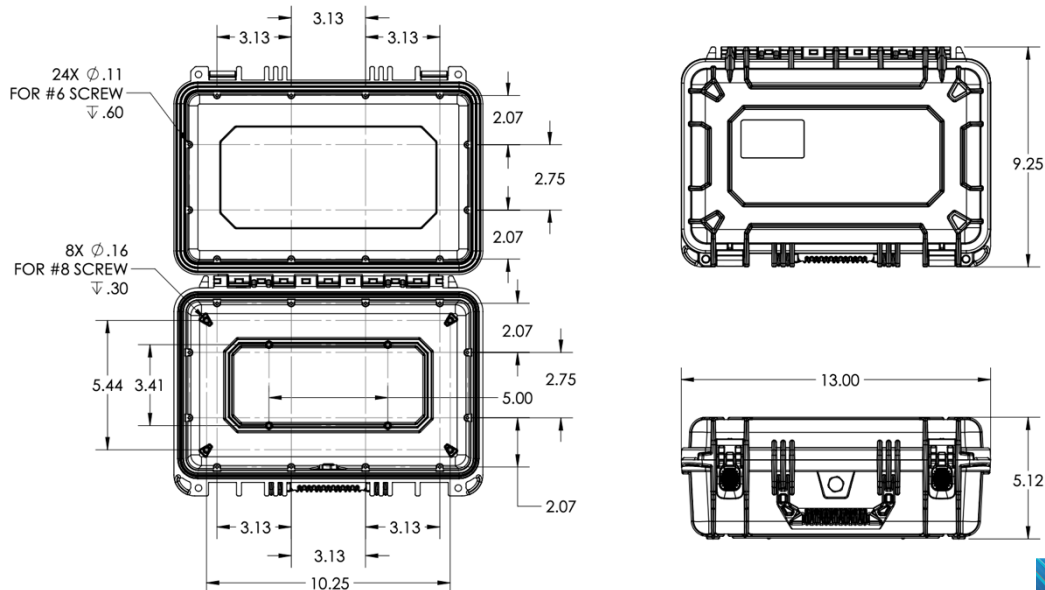
Shock Resistant Mobile Case

- 4X4 MIMO CELLULAR
- 4X4 MIMO Wi-Fi
- OMNI-DIRECTIONAL
- GPS
- 600 MHz - 6 GHz
- 15.04 in X 12.32 in X 6.98 in
- Wi-Fi 6 COMPATIBLE

Specifications

Frequencies			
4G/5G Cellular	617-894 MHz 1710-2700 MHz 3400-4000 MHz 5150-5925 MHz	Wi-Fi	2400-2483.5 MHz 4900-5900 MHz
4G/5G Bands			
North America	B2, B4, B5, B7, B12, B14, B17, B25, B26, B29, B30, B41, B46, B48, B66, B71 n2, n5, n12, n25, n26, n41, n48, n66, n71, n77		
EMEA	B1, B3, B7, B20, B28, B42, B43, B46 n1, n3, n28, n77, n78		
Mechanical		Environmental	
Dimensions	15.04 inch X 12.32 inch X 6.98 inch	Operating Temperature	-30 °C to 85°C OR -22 °F to 180°F
RF Cable Length	13 inch Pigtails	Ingress Protection	IP67 Waterproof When Closed*
Power	120 Volt AC	Battery (not included)	27K Battery
Router Options (not included)	MAX BR1 PRO 5G Cradlepoint R1900 (only -L version)	Max Router Size	5.8" X 5.1" X 1.15"
<ul style="list-style-type: none"> • Custom colors available, reach out to Parsec for more information. • For different router configurations, reach out to Parsec for more information. • Temperature range is for antenna only. Equipment installed inside the enclosure may have a different temperature range. • *Openings in the enclosure for options like fans and power cords may reduce ingress protection even with covers installed. 			

Dimensions



Product Images



Electrical Specifications

<i>ID & Unit</i>	<i>Port</i>	<i>Parameters</i>	<i>Typ.</i>
Radiated Efficiency (%)	CELL 1 thru 4	617-698 MHz	70
	CELL 1 thru 4	698-984 MHz	80
	CELL 1 thru 4	1710-2200 MHz	90
	CELL 1 thru 4	2200-2700 MHz	90
	CELL 1 thru 4	3400-4000 MHz	85
	CELL 1 thru 4	5150-5925 MHz	70
	GPS	1575.42 MHz	80
	Wi-Fi 1 thru 4	2400-2483.5 MHz	80
	Wi-Fi 1 thru 4	4900-5900 MHz	70
	Peak Gain (dBi)	CELL 1 thru 4	617-698 MHz
CELL 1 thru 4		698-984 MHz	3.5
CELL 1 thru 4		1710-2200 MHz	6
CELL 1 thru 4		2200-2700 MHz	5.5
CELL 1 thru 4		3400-4000 MHz	5
CELL 1 thru 4		5150-5925 MHz	6
Wi-Fi 1 thru 4		2400-2483.5 MHz	4
Wi-Fi 1 thru 4		4900-5900 MHz	6

Return Loss 50Ω (dB)	CELL 1 thru 4	617-698 MHz	10
	CELL 1 thru 4	698-984 MHz	10
	CELL 1 thru 4	1710-2200 MHz	12
	CELL 1 thru 4	2200-2700 MHz	14
	CELL 1 thru 4	3400-4000 MHz	7
	CELL 1 thru 4	5150-5925 MHz	6
	GPS	1575.42 MHz	12
	Wi-Fi 1 thru 4	2400-2483.5 MHz	14
	Wi-Fi 1 thru 4	4900-5900 MHz	10
Isolation (dB)	CELL	617-698 MHz	8
	CELL	698-894 MHz	9
	CELL	1710-2200 MHz	18
	CELL	2200-2700 MHz	22
	CELL	3400-4000 MHz	21
	CELL	5150-5925 MHz	27
	Wi-Fi	2400-2483.5 MHz	18
	Wi-Fi	4900-5900 MHz	21
Polarization (dBi)	CELL, Wi-Fi GPS		Linear RHCP
Max Input Power (Watts)	CELL, Wi-Fi		5
RF Connectors	CELL, GPS Wi-Fi		SMA(M) RPSMA (M)
RF Cable Type	CELL, Wi-Fi GPS		RG316 LSR100
<ul style="list-style-type: none"> Isolation, return loss, and peak gain include cable loss from 13 inch cables supplied. SMA connectors have a max torque of 3-5 in-lbs. NF connectors have a max torque of 6.2-9.7 inch lbs. Electrical specifications based on antenna mounted in the lid of the plastic enclosure. *Battery, router, and SIM Card are not included. Customers should contact Parsec's authorized distributors and VAR's listed on our website for a full list of routers and other options that will complete the Emergency Hot Spot. Parsec is currently phasing out inventory with LTE on our Cellular cables (now labeled CELL). For cables labeled LTE, please refer port "CELL" in the data sheets and installation instructions. 			

GNSS Electrical Specifications

<i>ID & Unit</i>	<i>Port</i>	<i>Parameters</i>	<i>Typ.</i>
Antenna + Preamp Gain (dBic)	GPS	1570-1581 MHz	33
Polarization	GPS		RHCP
Filter Rejection (dB)	GPS	1625 MHz	12
GNSS Preamp Voltage (mA)	GPS		2.2 to 5
GNSS Preamp Current (mA)	GPS		5 to 15
RF Connector	GPS		SMA(M)
RF Cable Type	GPS		LSR100

Ordering

Our Boxer antenna consists of a protective case with the antenna built into the lid.

Config.	Part Number	Description
7:1	PRO7BX4L2WG	4 Cellular, 2 Wi-Fi, GPS, Black Case with Antenna Build into Lid
	PRO7BX4L2WG-L	4 Cellular, 2 Wi-Fi, GPS, Black Case with Antenna Build into Lid with AC Adapter (see antenna options for description)
	PRO7BX4L2WG-G	4 Cellular, 2 Wi-Fi, GPS, Black Case with Antenna Build into Lid with 27K Battery Needed (see antenna options for description)
8:1	PRO8BX4L3WG	4 Cellular, 3 Wi-Fi, GPS, Black Case with Antenna Build into Lid
	PRO8BX4L3WG-L	4 Cellular, 3 Wi-Fi, GPS, Black Case with Antenna Build into Lid with AC Adapter (see antenna options for description)
	PRO8BX4L3WG-G	4 Cellular, 3 Wi-Fi, GPS, Black Case with Antenna Build into Lid with 27K Battery Needed (see antenna options for description)
9:1	PRO9BX4L4WG	4 Cellular, 4 Wi-Fi, GPS, Black Case with Antenna Build into Lid
	PRO9BX4L4WG-L	4 Cellular, 4 Wi-Fi, GPS, Black Case with Antenna Build into Lid with AC Adapter (see antenna options for description)
	PRO9BX4L4WG-G	4 Cellular, 4 Wi-Fi, GPS, Black Case with Antenna Build into Lid with 27K Battery Needed (see antenna options for description)

Part Number Key

Part number example for a 7:1 Boxer antenna: PRO7BX4L2WG

Description	Abbreviation	Part Number
All PRO Series	PRO	PRO
Number of Antennas in Housing/Configuration	7:1	PRO7
Antenna Abbreviation for Boxer	BX	PRO7BX
Number of Cellular Elements	#L	PRO7BX4L
Number of Wi-Fi Elements	#W	PRO7BX4L2W
Number of GPS Elements	G	PRO7BX4L2WG
Optional G Version - Includes the options listed	-G	PRO7BX4L2WG-G
Optional L Version - Includes the options listed	-L	PRO7BX4L2WG-L
Custom case colors and connectors are available. For more information contact sales@parsec-t.com.		

Antenna Options

<i>Description</i>	<i>PRO9BX4L4WG</i>	<i>-G Version</i>	<i>-L Version</i>
Antenna	YES	YES	YES
Fan and Vent	NO	YES	YES
AC Adapter	NO	NO	YES
Barrel Connector	NO	YES	NO
3x RJ-45 Connectors	NO	YES	YES
Router Mount Plate	NO	YES	YES
Top Cover	NO	YES	YES
27K Battery Tray	NO	YES	NO
Battery: ChargeTech 27K AC Battery Pack- Portable Power (Not Included with Antenna. Must Be Purchased Separately.) For more information, see our installation instructions at Parsec-t.com for Boxer Case Series.			

Hardware Accessories

<i>Accessory</i>	<i>Part Number</i>
RJ-45 Adapter	PTA0415
HDMI Port	PTA0683
DC Barrel	PTA0447B
AC Adapter with 16" Cord Kit	PTA0771
Top Cover Plate Mounting Screws	PTA0351
40mm Vent and Cap Kit	PTA0477
60mm Fan Replacement Kit (Includes Screws and Nuts)	PTA0765
60mm Vent and Cap Kit	PTA0478
SMA Wrench, Key Chain	PTA0194
Service: Router Installation	PTA-Install-150



Parsec Antennas
972-804-4600
support@parsec-t.com