



## Lumos™ 5G Fixed Wireless Access Antenna

Up to 4x4 MIMO High Gain IP67 Antenna

Airgain's outdoor 5G fixed wireless access (FWA) antenna is designed to enhance LTE and 5G connectivity for virtually any indoor customer premises equipment (CPE) device.

### FEATURES

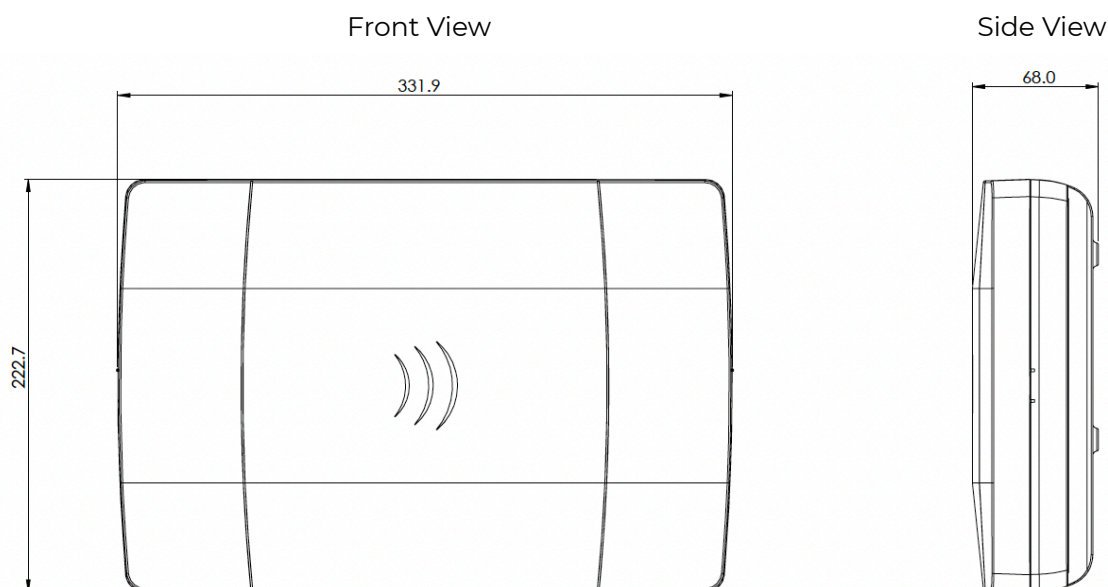
- Up to 4 x 4 MIMO LTE/5G (617 - 4200 MHz)
- Designed to hide cables behind device
- IP67 ingress protection
- Available in white

### ADVANTAGES

- High gain provides better performance
- Compatible with customized EZConnect™ cable harness from a USA factory ensuring fast turnaround
- Adjustable bracket included for mounting to a wall or pole and locking the antenna into desired position
- 5 year limited warranty included<sup>1</sup>

<sup>1</sup>See terms and conditions at <https://airgain.com/antenna-plus-support/>

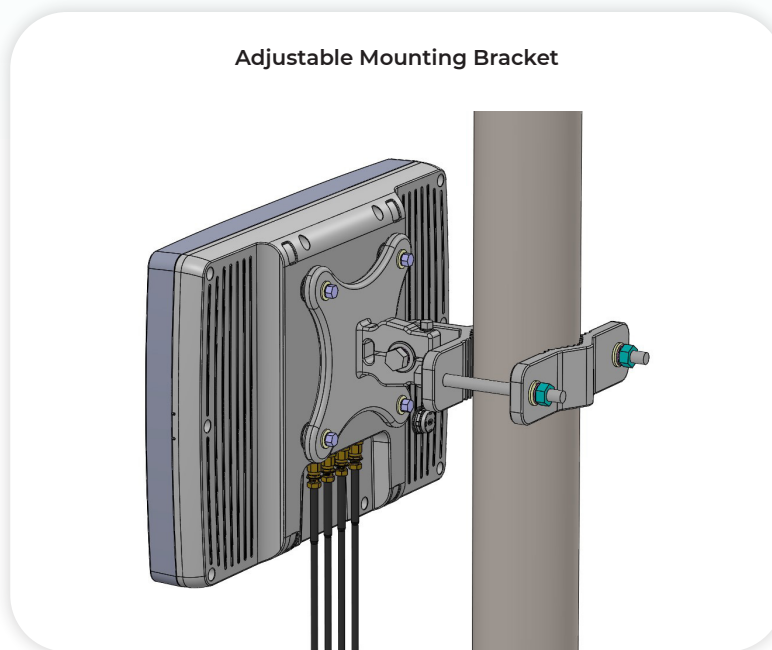
### DIMENSIONS (in mm)



## PART NUMBERS

CELLULAR ELEMENTS	PART NUMBER <small>*Requires EZConnect Cable Harness</small>	DESCRIPTION
4	*TBD	EZConnect Antenna with 4x4 MIMO LTE/5G, SMA Male connectors, White
	[z]-C4-1-14	EZConnect Cable Harness with Cell x 4, SMA Male connectors, 14 feet length
2	*TBD	EZConnect Antenna with 2x2 MIMO LTE/5G, SMA Male connectors, White
	[z]-C2-1-14	EZConnect Cable Harness with Cell x 2, SMA Male connectors, 14 feet length

EZConnect CABLE HARNESS [z]	DESCRIPTION
CH	Inquire to distributor for select SKUs
CCH	Custom Cable Harness with cable lengths up to 34 feet, and other variations



## TECHNICAL SPECIFICATIONS

Performance results are measured in a test chamber and are more reliable than data from software simulations

### ELECTRICAL

Frequency Range	Elements 1 up to 4	617-960/1700-2700/3300-4200 MHz
Operational Bands	Elements 1 up to 4	LTE/5G
Peak Gain	Elements 1 up to 4	617-960 MHz, 3.6 dBi (omni-directional)
		1700-2700 MHz, 8.2 dBi (directional)
		3300-4200 MHz, 10.9 dBi (directional)
Isolation	Elements 1 up to 4	>12 dB
Average Efficiency	Elements 1 up to 4	617-960 MHz, >43%
		1700-2700 MHz, >49%
		3300-4200 MHz, >54%
Correlation Co-efficient	Elements 1 up to 4	<0.2

### ENVIRONMENTAL

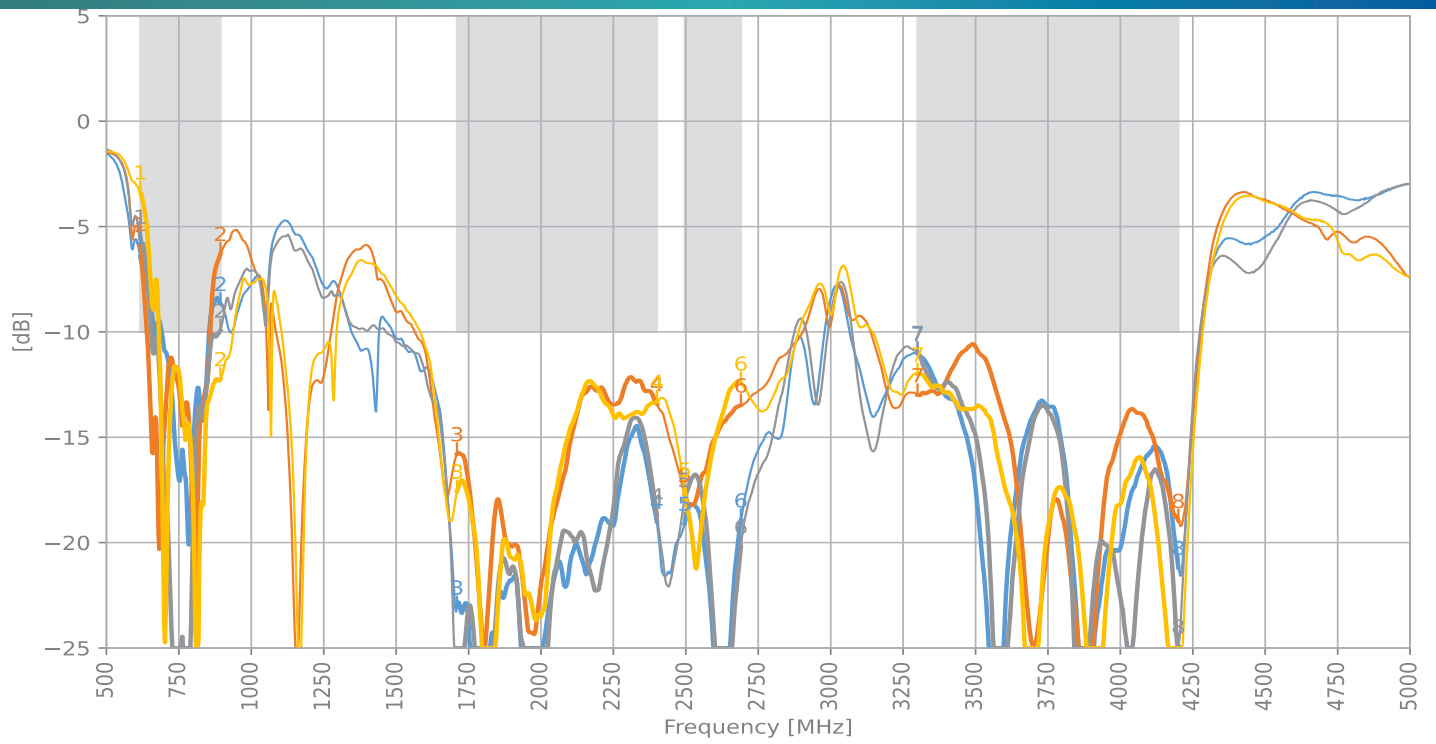
Hazardous Substances	RoHS Compliant
Temperature	-40°C to 85°C (-40°F to + 185°F) Operating and Storage conformance to SAE J1455 4.1.1.5A
Humidity (Non-Condensing)	60°C and 95% RH Operating and Storage conformance to MIL-STD 810F Method 507.4
Water Ingress	IP67

### MECHANICAL

Dimensions	Height	8.8" (222.7mm)
	Width	13" (331.9mm)
	Thickness	2.7" (68.0 mm)
Color	White (WH)	
Connector	SMA Male	

Guidance for interpreting the data sheet is available on our website: <https://www.airgain.com/resources/datasheet-term-guide/>

### Return Loss of Cell Antennas



### Isolation of Cell Antennas

